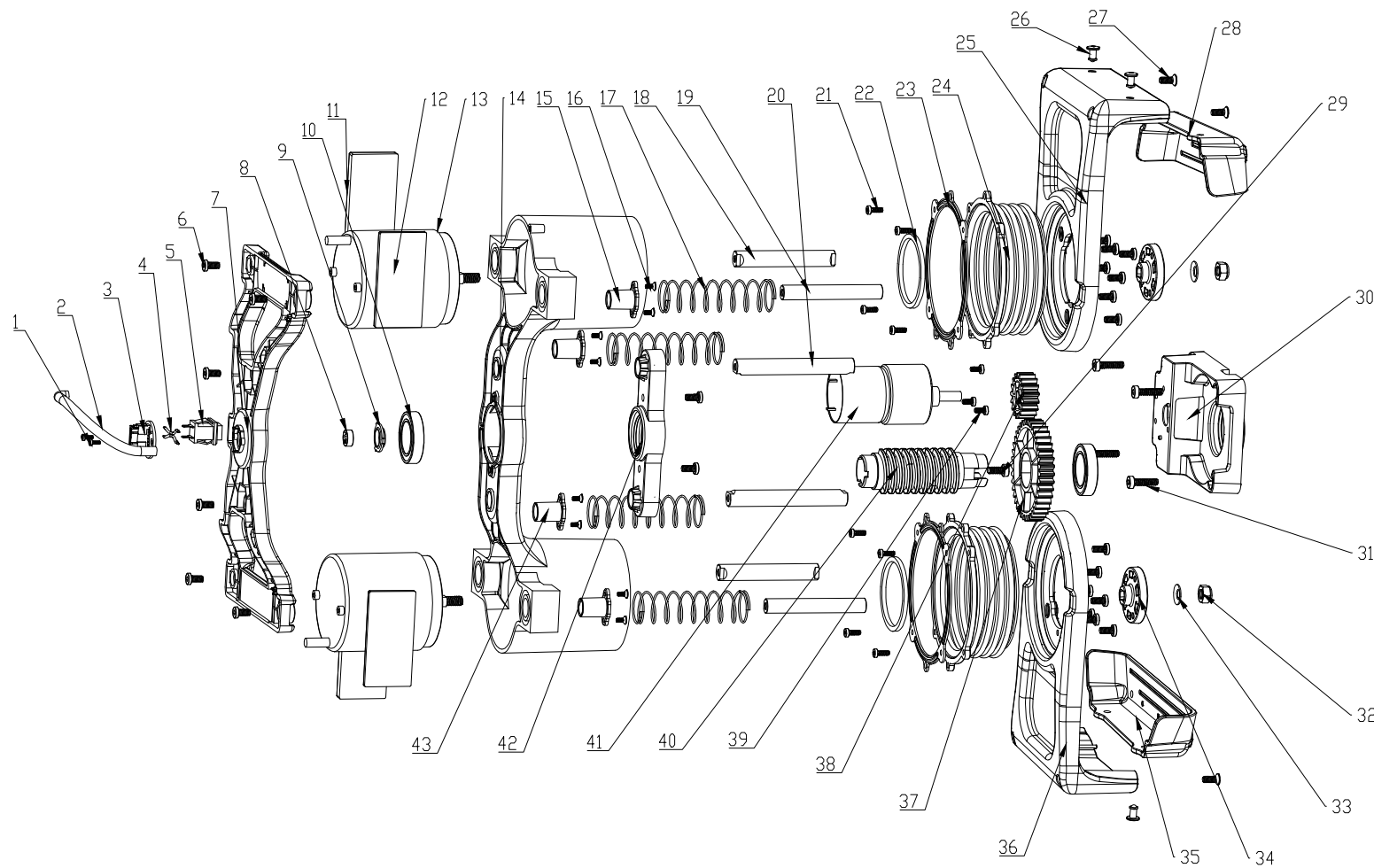
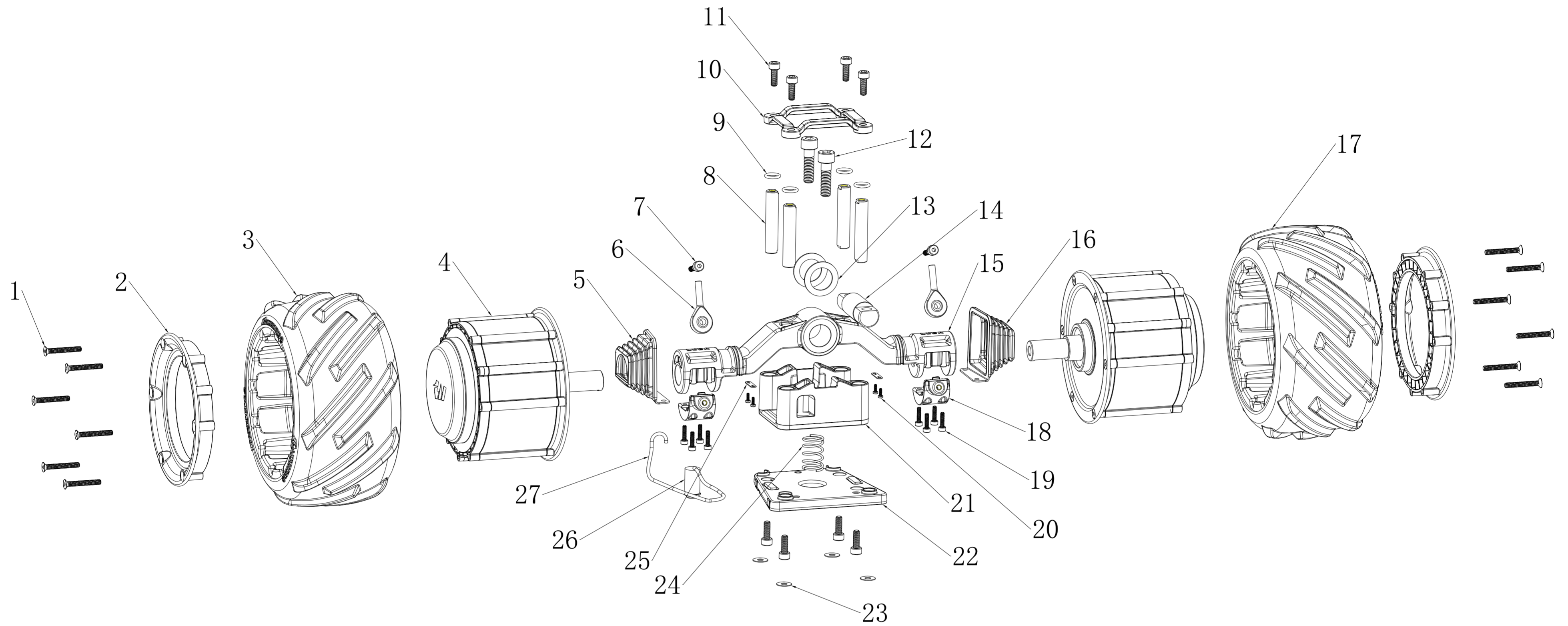


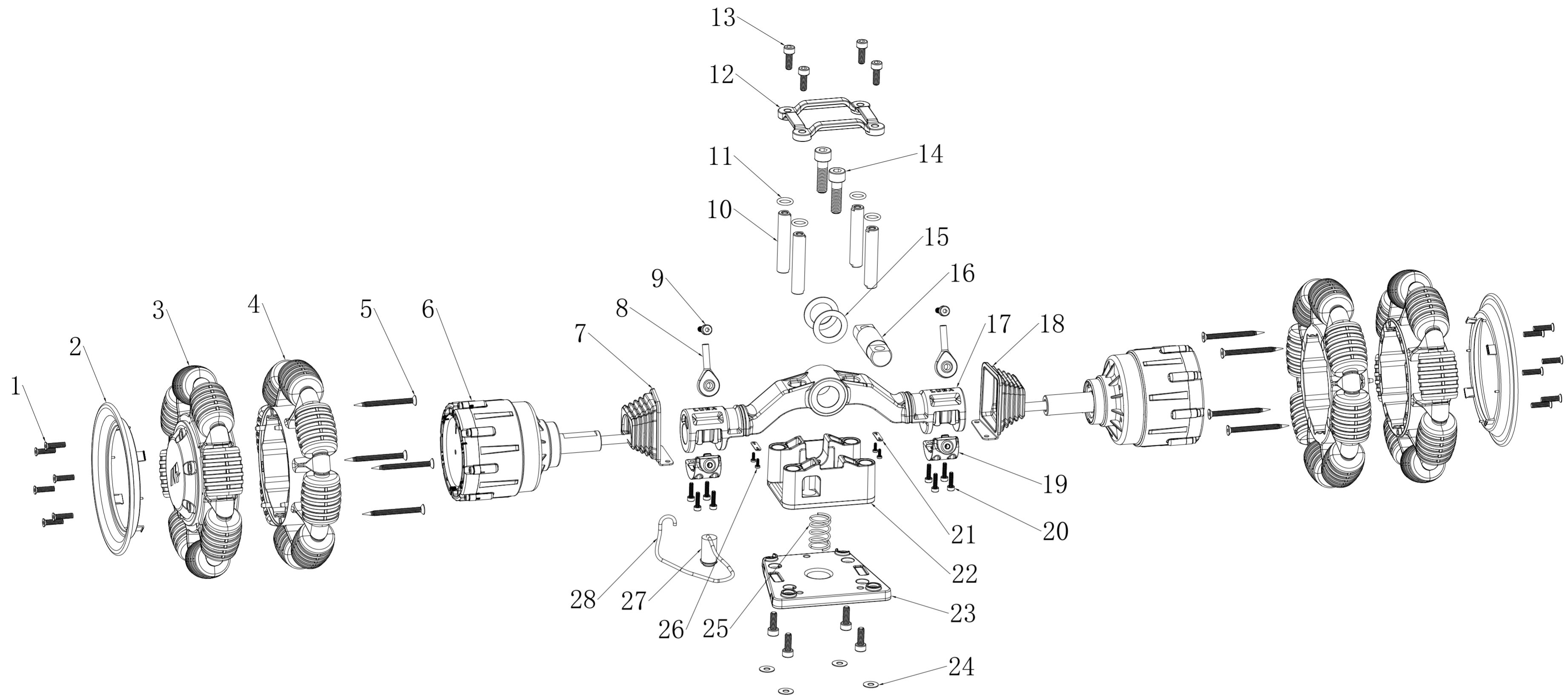
No.	Parts Code	Parts Name
1	C. 700. 0506	Cuting plate
2	C. 700. 0505	Cutting balde
3	F. 100. SZ0899	Gasket
4	F. 100. SZ1314	M4x8mm screw



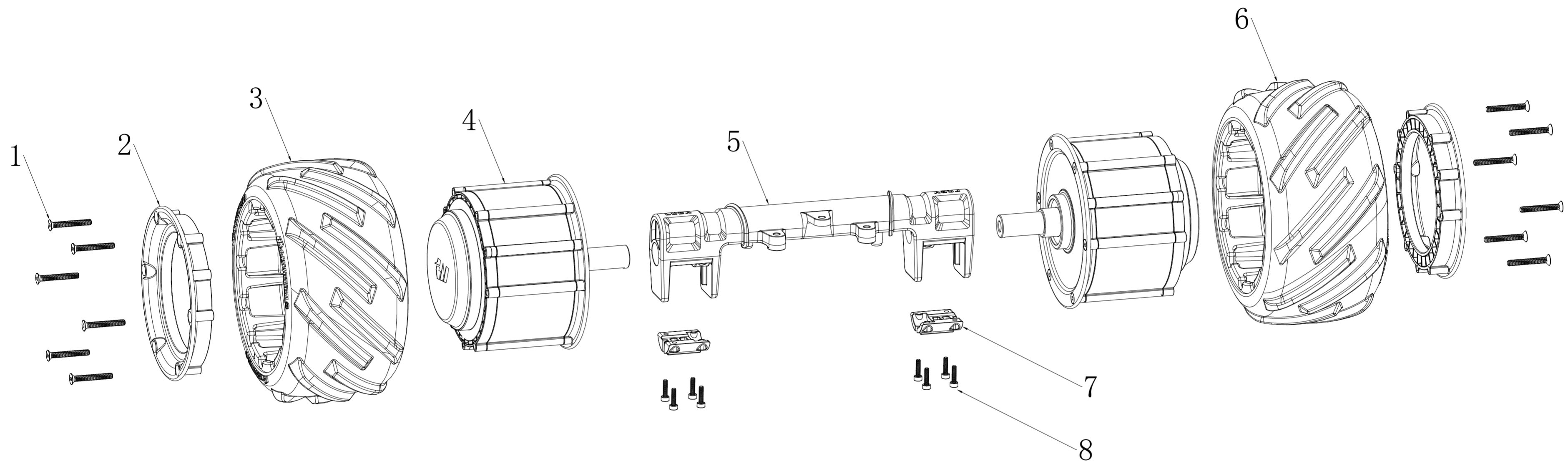
No.	Parts Code	Parts Name	No.	Parts Code	Parts Name
1	F.100.SZ0510	Hex self-tapping screw M2*5.5	23	C.700.0109	Sealing fixture
2	D.015.SZ0097	Encoder cord	24	C.700.0507	Sealing silicone sleeve
3	Z.001.SZ0126	Magnetic encoder_PCBA	25	C.700.0487	Left cutting protector 1
4	D.015.SZ0099	Switch connectionc able	26	F.100.SZ1300	Rivet M4*8
5	Z.121.SZ0031	Switch	27	F.100.SZ0516	Hex flat head screw M4*10
6	F.100.SZ0515	Hex screw M4*8	28	C.700.0492	Left cutting protector 2
7	C.700.0096	Lifting structure mounting frame	29	F.100.SZ0505	Hex cup head self-tapping screw M4.2*10
8	F.100.SZ0315	Magnet	30	C.700.0104	Lifting motor mounting frame
9	C.700.0125	Magnet fixture	31	F.100.SZ0504	Hex cup head self-tapping screw M4.2*16
10	M.300.SZ0058	Bearing	32	F.100.SZ0690	M6 Nut
11	F.100.SZ0875	Cooling pad 1	33	F.100.SZ0787	Gasket
12	F.100.SZ0876	Cooling pad 2	34	C.700.0111	Cutting plate mounting kit
13	D.015.SZ0163	Mowing motor	35	C.700.0493	Right cutting protector 2
14	C.700.0097	Mowing motor mounting frame	36	C.700.0488	Right cutting protector 1
15	C.700.0241	Sliding nut 1	37	C.700.0102	Big gear
16	C.700.0256	Hex falt head screw M2.5*6	38	C.700.0103	Small gear
17	M.300.SZ0061	Spring	39	F.100.SZ0513	Hex cup head screw M3*6*
18	M.300.SZ0060	Sliding lead 3	40	C.700.0100	Lead screw
19	C.700.0099	Sliding lead 2	41	D.015.SZ0066	Lifting motor
20	C.700.0098	Sliding lead 1	42	C.700.0101	Lead screw nut
21	F.100.SZ0506	Hex cup head self-tapping screw M3*8	43	C.700.0242	Sliding nut 2
22	F.100.SZ0786	Waterproof gasket			



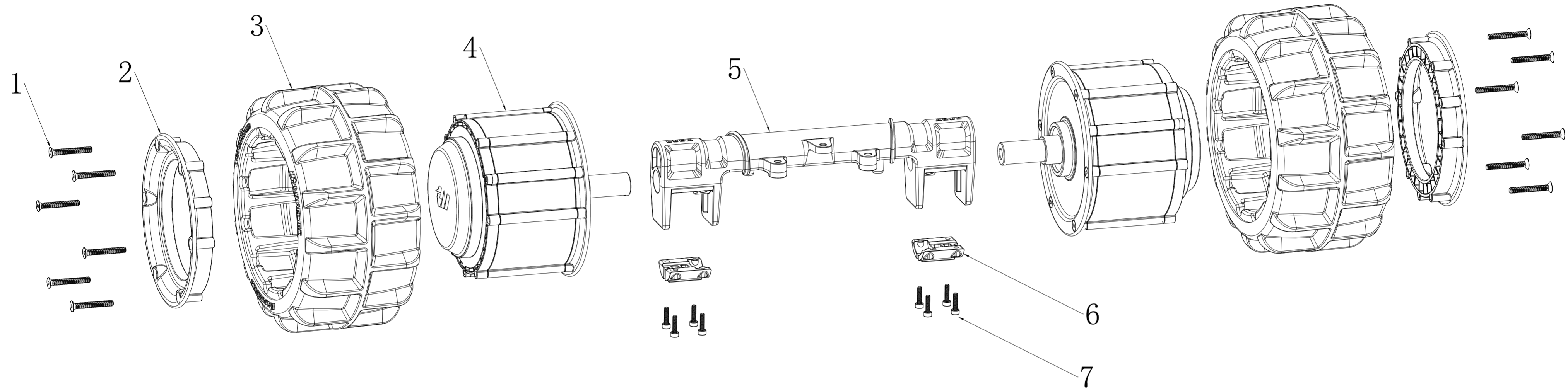
No.	Parts Code	Parts Nama	No.	Parts Code	Parts Name
1	F.100.SZ0780	Hex flat head screw M4*40	15	C.700.0490	Front Axle
2	M.015.SZ0056	Tire fixture	16	C.700.0113	Right sealing sleeve
3	C.700.0234	Left tire	17	C.700.0235	Right tire
4	D.015.SZ0014	Hub motor	18	C.700.0160	Hub motor fixture
5	C.700.0114	Left sealing sleeve	19	F.100.SZ0514	Hex socket screw M3*12
6	M.015.SZ0034	Rod end spherical bearing	20	F.100.SZ0511	Hex socket screw M2*6*3.8*1.5
7	J.015.SZ0068	Shock absorbing step screws	21	C.700.0092	Slider
8	C.700.0093	Leading rod	22	C.700.0091	Bottom fixture
9	F.100.SZ0685	O-shape ring	23	F.100.SZ0944	Bottom gasket
10	C.700.0090	Front Axle fixture	24	M.015.SZ0054	Spring
11	F.100.SZ0518	Hex socket head screw M5*14	25	C.700.0328	Motor cord fixture
12	C.700.0257	Hex socket head screw M8*28	26	D.015.SZ0132	Switch
13	C.700.0095	Gasket	27	D.015.SZ0096	Switch cord
14	C.700.0094	Spindle			



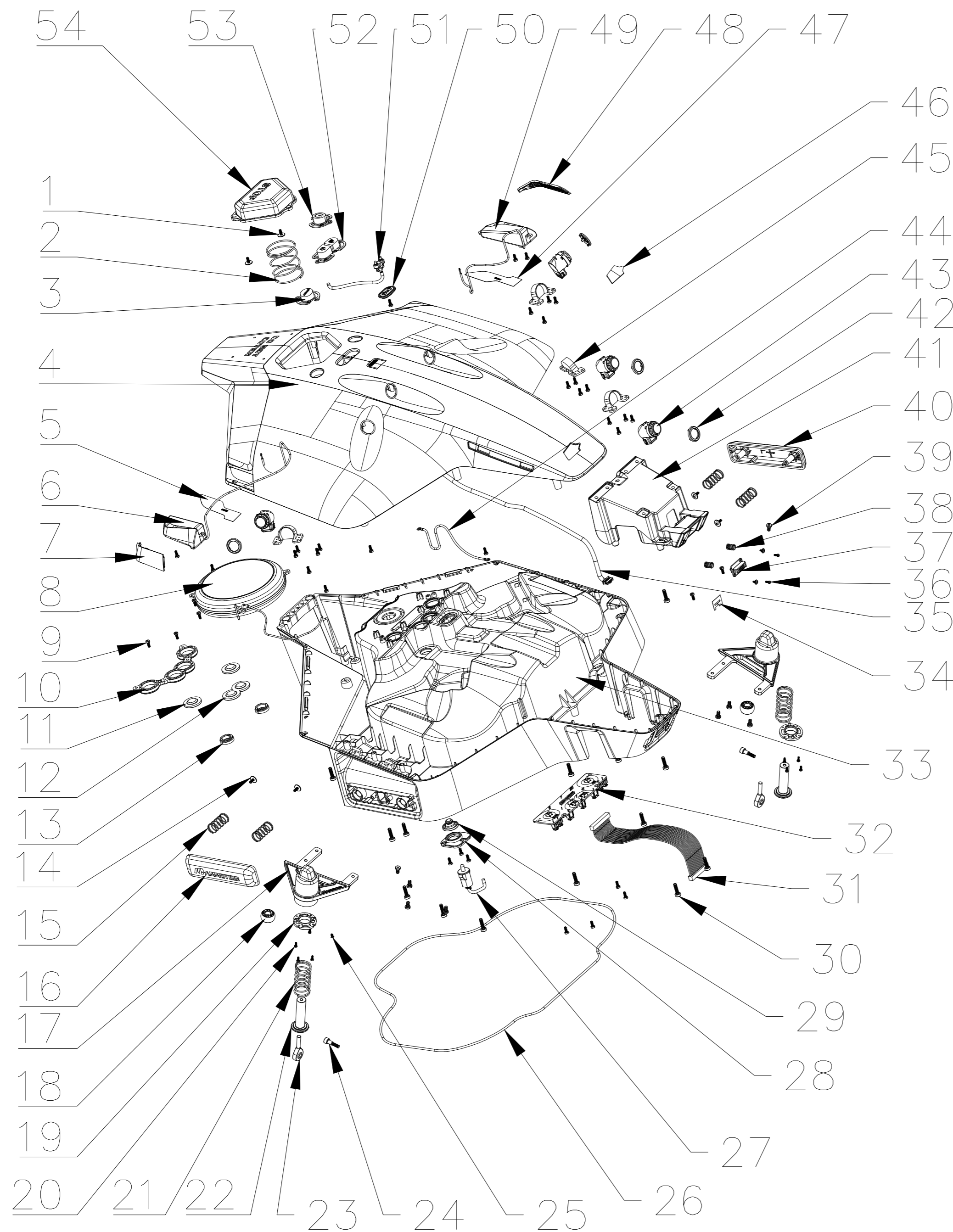
No.	Parts Code	Parts Name	No.	Parts Code	Parts Name
1	F. 100. SZ1318	Hex flat head screwM4*18	15	C. 700. 0095	Brass gasket
2	C. 700. 0402	Omni wheel gasket	16	C. 700. 0094	Spindle
3	C. 700. 0484	Outter motor frame	17	C. 700. 0490	Front Axle
4	C. 700. 0479	Inner motor frame	18	C. 700. 0113	Left sealing sleeve
5	F. 100. SZ0974	Hex flat head screw M4*50	19	C. 700. 0160	Wheel motor fixture
6	D. 015. SZ0158	Wheel motor	20	F. 100. SZ0514	Hex socket screw M3*12
7	C. 700. 0114	Left sealing sleeve	21	C. 700. 0328	Motor cord fixture
8	M. 015. SZ0034	Rod end spherical bearing	22	C. 700. 0092	Slider
9	J. 015. SZ0068	Shock absorbing step screws	23	C. 700. 0091	Bottom fixture
10	C. 700. 0093	Leading rod	24	F. 100. SZ0944	Bottom gasket
11	F. 100. SZ0685	O-shape ring	25	M. 015. SZ0054	Spring
12	C. 700. 0090	Front Axle fixture	26	F. 100. SZ0511	Hex socket screw M2*6*3.8*1.5
13	F. 100. SZ0518	Hex socket head screw M5*14	27	D. 015. SZ0132	Switch
14	C. 700. 0257	Hex socket head screw M8*28	28	D. 015. SZ0096	Switch cord



No.	Parts Code	Parts Name	No.	Parts Code	Parts Name
1	F.100.SZ0780	Socket Cap Screw M4*40	5	C.700.0087	Rear Axle
2	M.015.SZ0056	Tire fixture	6	C.700.0234	Tire-left
3	C.700.0235	Tire-right	7	C.700.0089	Hub motor fixture
4	D.015.SZ0015	Hub motor	8	F.100.SZ0514	Hex screw M3*12



No.	Parts Code	Parts Name	No.	Parts Code	Parts Name
1	F.100.SZ0780	Hex flat head screw M4*40	5	C.700.0087	Rear Axle
2	M.015.SZ0056	Tire fixture	6	C.700.0089	Hub motor fixture
3	C.700.0356	Rear Tire	7	F.100.SZ0514	Hex screw M3*12
4	D.015.SZ0015	Hub motor			



No.	Parts Code	Parts Name
1	F.100.SZ0508	Hex self-tapping screws M3*8*10
2	F.100.SZ0302	Stop button spring
3	C.700.0053	START button
4	C.700.0508	Upper shell
5	F.100.SZ0683	Right taillight mylar piece
6	P.015.SZ0015	Right tail light assembly
7	C.700.0065	Right lampshade
8	P.015.SZ0013	RTK antenna components
9	F.100.SZ0506	Hex self-tapping M3*8
10	C.700.0061	Button sealing strip
11	C.700.0062	START button silicone
12	C.700.0084	Double button silicone
13	C.700.0059	Upper shell over-line silicone
14	F.100.SZ0508	Hex self-tapping screws M3*8*10
15	F.100.SZ0303	Anti-collision beam spring
16	C.700.0163	Right side bumper strip
17	C.700.0172	Right shock absorber bracket
18	C.700.0240	Nylon slider
19	C.700.0173	Shock absorber cover
20	F.100.SZ0511	Hex screw M2*6
21	M.015.SZ0032	Shock absorber spring
22	C.700.0174	Shock absorber inner shaft
23	M.015.SZ0034	Fisheye rod end spherical plain bearing
24	J.015.SZ0068	Shock absorbing step screws
25	F.100.SZ0509	Hex self-tapping screw M2.5*5*4
26	C.700.0176	Main waterproof ring
27	Z.121.SZ0022	Switch
28	C.700.0074	Stop button silicone bracket
29	C.700.0063	Stop button silicone
30	F.100.SZ0504	Hex self-tapping screw M4.2*16
31	D.015.SZ0107	Upper case adapter cable
32	Z.001.SZ0117	Button board
33	C.700.0509	Middle frame
34	C.700.0168	Quick release waterproof sheet
35	D.015.SZ0085	Front adapter cable
36	F.100.SZ0511	Hex machine screws
37	Z.001.SZ0108	Front bumper socket board
38	M.015.SZ0033	Quick release support spring
39	F.100.SZ0515	Hex machine screw M4*8
40	C.700.0162	Left side anti-collision strip
41	C.700.0070	Shock absorbing bracket
42	C.700.0165	Ultrasonic cover
43	D.015.SZ0077	Ultrasonic probe
44	D.015.SZ0101	Ultrasonic ground wire
45	C.700.0058	Ultrasonic holder
46	C.700.0057	Logo
47	F.100.SZ0682	Left taillight mylar piece
48	C.700.0064	left light wall
49	P.015.SZ0014	Left tail light assembly
50	C.700.0060	Rain sensor silicone
51	C.700.0177	Rain sensor
52	C.700.0085	Security Key
53	C.700.0054	Power button
54	C.700.0052	Stop button